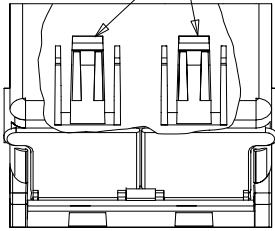


THIS COPY IS PROVIDED ON A RESTRICTED BASIS AND IS NOT TO BE USED IN ANY WAY DETRIMENTAL TO THE INTERESTS OF PANDUIT CORP.

PANDUIT P/N	WEIGHT
CHS2S	1.7 LB/100 PCS (750g/100 PCS)

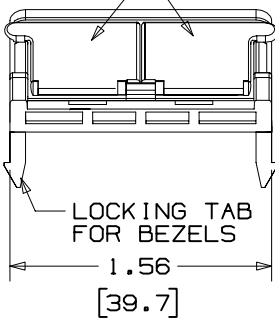
LOCKING TABS FOR  
MINI-COM MODULES.



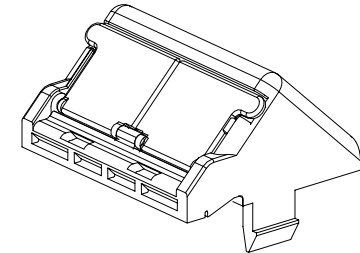
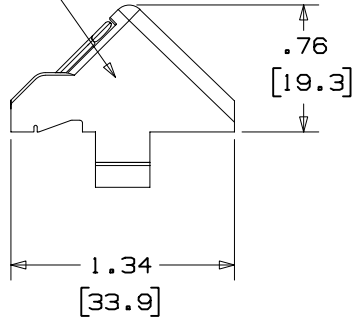
NOTES:

1. SEE CURRENT CATALOG FOR ADDITIONAL PART NUMBER SUFFIXES TO INDICATE COLOR AND OR PACKAGE QUANTITY.
2. THIS PART IS TO BE USED WITH THE MINI-COM BEZELS AND MINI-COM MODULES.
3. DIMENSIONS IN PARENTHESES ARE IN METRIC.

SHUTTERS



WALL THICKNESS .093  
(2.4)



CAD FILENAME/LAYERS D35544BD\_CHS2S\_02.PRT

**PANDUIT** CORP. TINLEY PARK, ILLINOIS

1/2 SIZE SLOPED SHUTTERED MODULE INSERT  
(NON-SHUTTERED ALSO AVAILABLE (CHS2S))  
CUSTOMER DRAWING

UNLESS OTHERWISE SPECIFIED,  
DIMENSIONAL TOLERANCES ARE:  
(.X) ± (.XXX) ±.010(.3)  
(.XX) ±.03(.8) ANGLES ±

UNLESS OTHERWISE SPECIFIED,  
ALL DIMENSIONS ARE GIVEN  
IN INCHES, THIRD ANGLE PROJECTION.

REV	DATE	BY	CHK	DESCRIPTION	ECN	CHK	CUST	SUP
2	3-12-98	JBA		B. REV'D P/N IN TITLE: WAS CH2S2.	35544-04			
1	9-12-97	RCA	CEF	A. REV'D TITLE WAS TWO MODULE MINI-COM SLOPED INSERT W/ PROTECTIVE SHUTTERS FOR EXEC. BEZELS.	35544-04	CEF		
R	3-29-96	DW	CEF	RELEASED TO PRODUCTION.	35544-04	CEF		

DRAWN BY DW  
DATE 3-29-96  
CHECKED BY CEF

MAT'L: ABS

SCALE NONE  
DRAWING NO. 35544-04  
DWG SIZE A